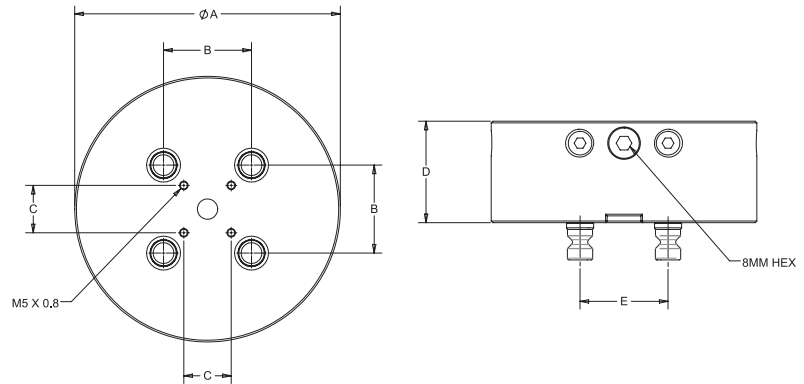
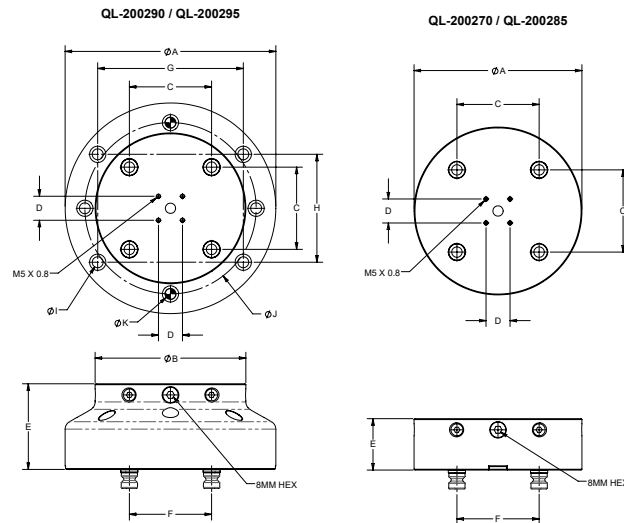


## 52mm Round Integrated Risers



Part Number	A (mm)	B (mm)	C (mm)	D (mm)	E (mm)	Weight lbs (kg)	Max.Torque ft*lbs (Nm)	Pull Stud
QL-200260	157	52	28	60	52	19.03 (8.63)	22 (30)	QL-200800
QL-200265	157	52	28	100	32.27 (14.64)	22 (30)	QL-200800	

## 96mm Round Integrated Risers



Part Number	A (mm)	B (mm)	C (mm)	D (mm)	E (mm)	F (mm)	G (mm)	H (mm)	I (mm)	J (mm)	K (mm)	Weight lbs (kg)	Max. Torque ft*lbs (Nm)	Pull Stud
QL-200270	176	—	96	28	60	96	—	—	—	—	—	23.91 (10.85)	22 (30)	QL-200805
QL-200285	196	—	96	28	100	96	—	—	—	—	—	50.85 (23.07)	22 (30)	QL-200805
QL-200290	246	176	96	28	60	96	170	126	12.7	200	12H7	31.78 (14.42)	22 (30)	QL-200805
QL-200295	246	176	96	28	100	96	170	126	12.7	200	12H7	60.91 (27.63)	22 (30)	QL-200805